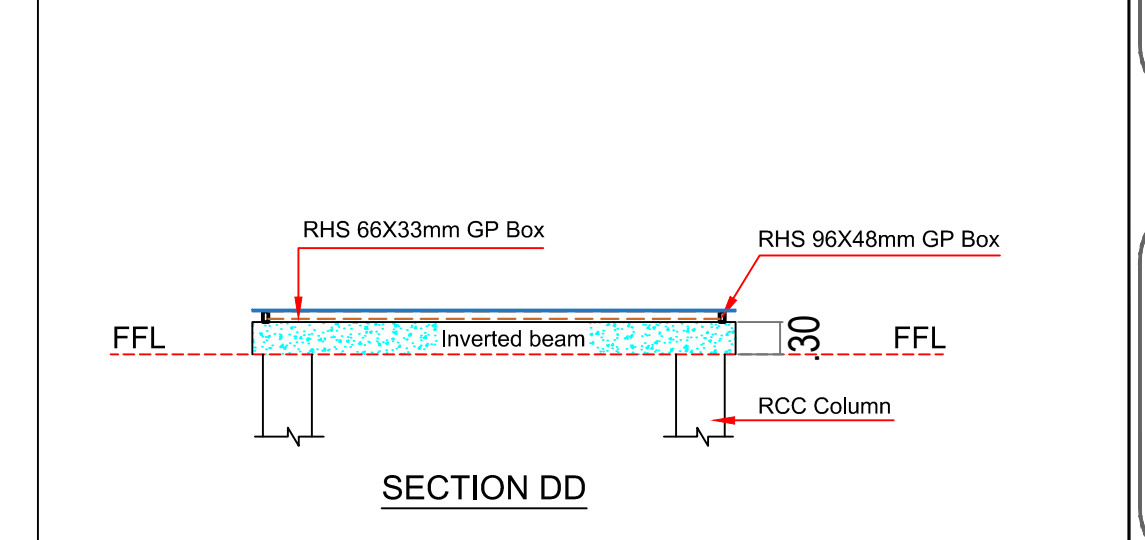
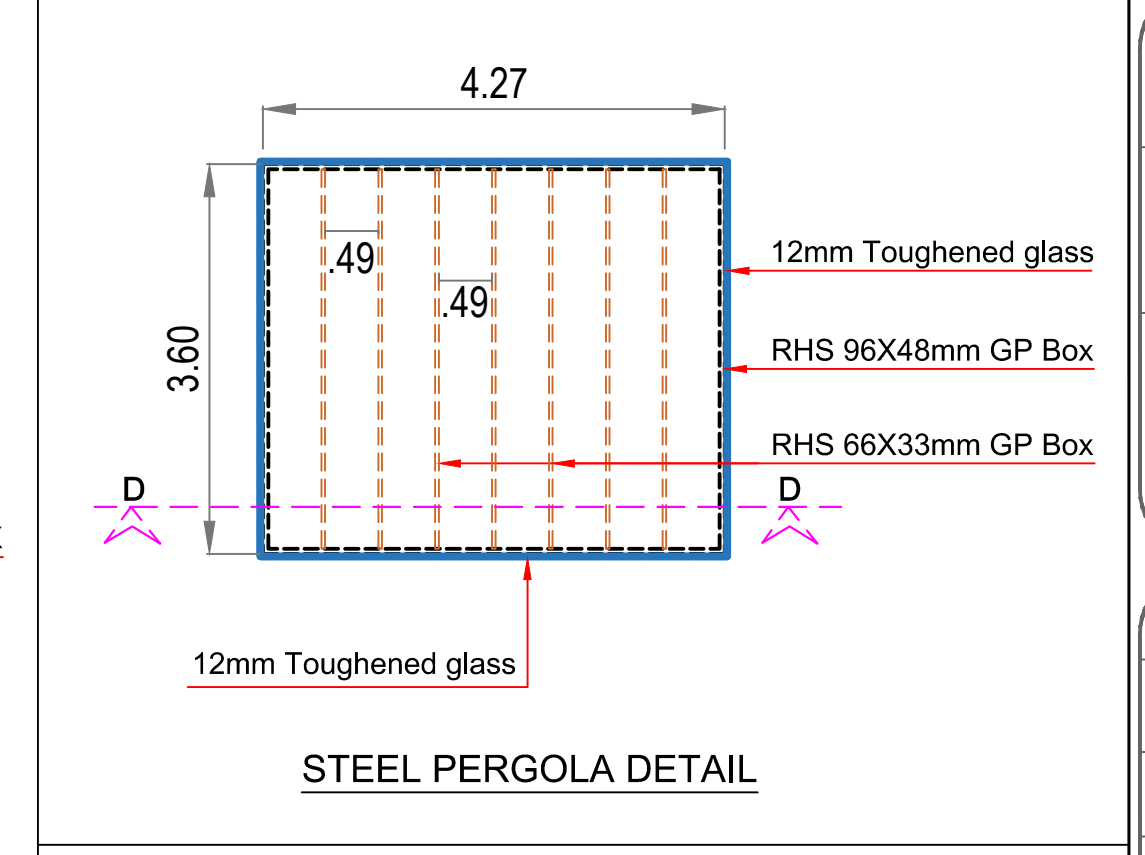
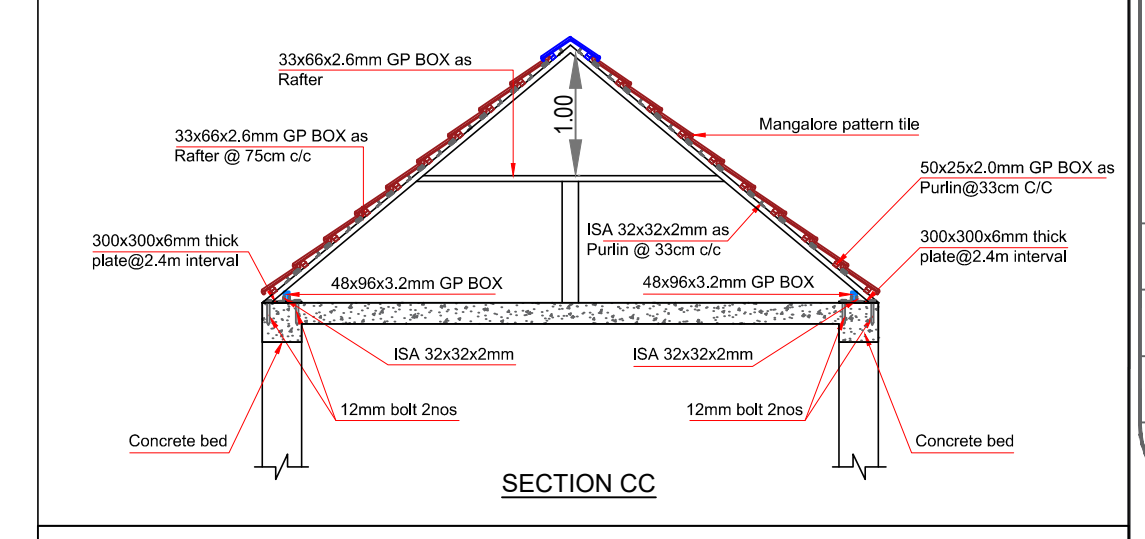
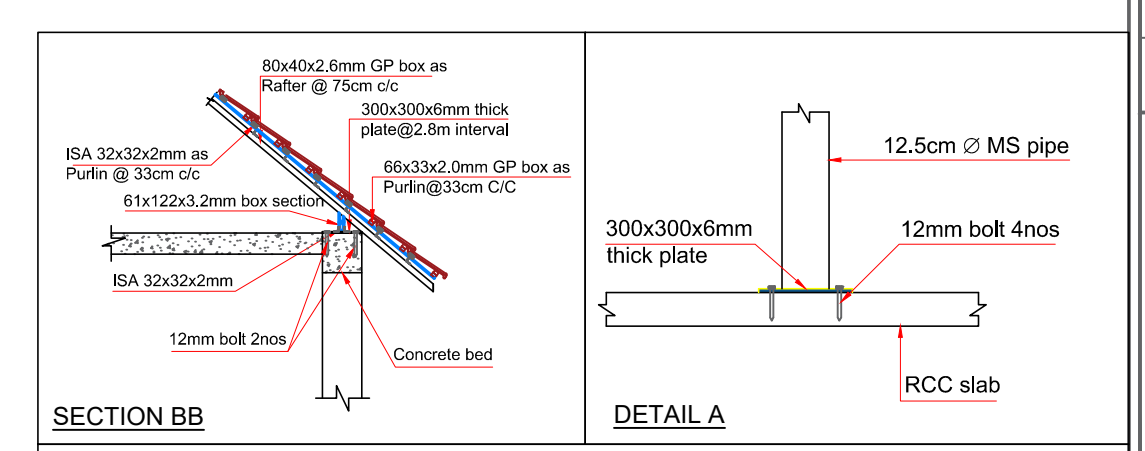
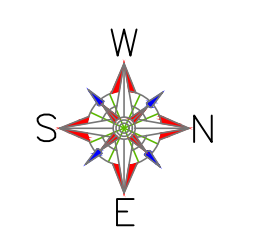


ROOF PLAN - STRUCTURAL SECTION LAYOUT



GENERAL NOTES

1. All Dimensions Are In M Unless Otherwise Mentioned.



PRELIMINARY FOR COMMENTS READY FOR CONSTRUCTION

PRELIMINARY ISSUES ARE NOT TO BE USED FOR CONSTRUCTION/FABRICATION

REV.	DATE	DESCRIPTION	DRN	CHKD	APRD

Project Name:
PROPOSED BUILDING @ KOTTAKKAL ARYAVAIYASALA, VADAKANTHARA.

Client Name:
M/S KOTTAKKAL ARYAVAIYASALA

Drawing Title:
ROOF PLAN- STRUCTURAL SECTION DETAILS

Date:	13/02/2025	Drawn:	Arun
Scale:	1:100	Checked:	Ar.Rupesh Narayan
Sheet:	WD07	Approved:	Ar.Rupesh Narayan
Job Number:	KOTAR/STR04	Rev.:	R0

ARCHITECT

MODARCHS
CONSULTANTS INDIA (Pvt.) Ltd.,
ARCHITECTS ■ ENGINEERS ■ DESIGNERS
Modarchs Center, 27/955A Panampilly Nagar, Cochin 682036, INDIA
M. + 91 9447059313 T. + 91 (484)2323876/2322748 E. info@modarchs.in
S G N R - D3 Sree Ganesh Nagar, Sekharapuram, Palakkad, Kerala 678010, INDIA
M. + 91 9446059313 T. + 91 (491)2578398 E. mail@modarchs.in www.modarchs.in

"This drawing is to be only used for the project named on the drawing and for the purpose stated. Use of the drawing in part or full for any other project/purpose is not permitted"