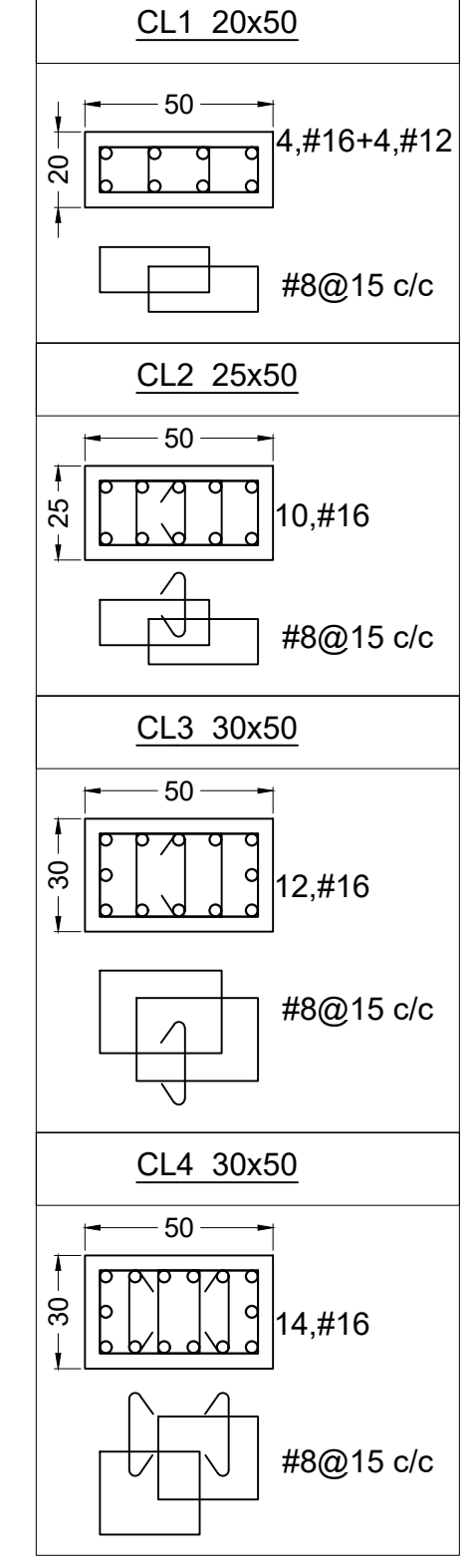
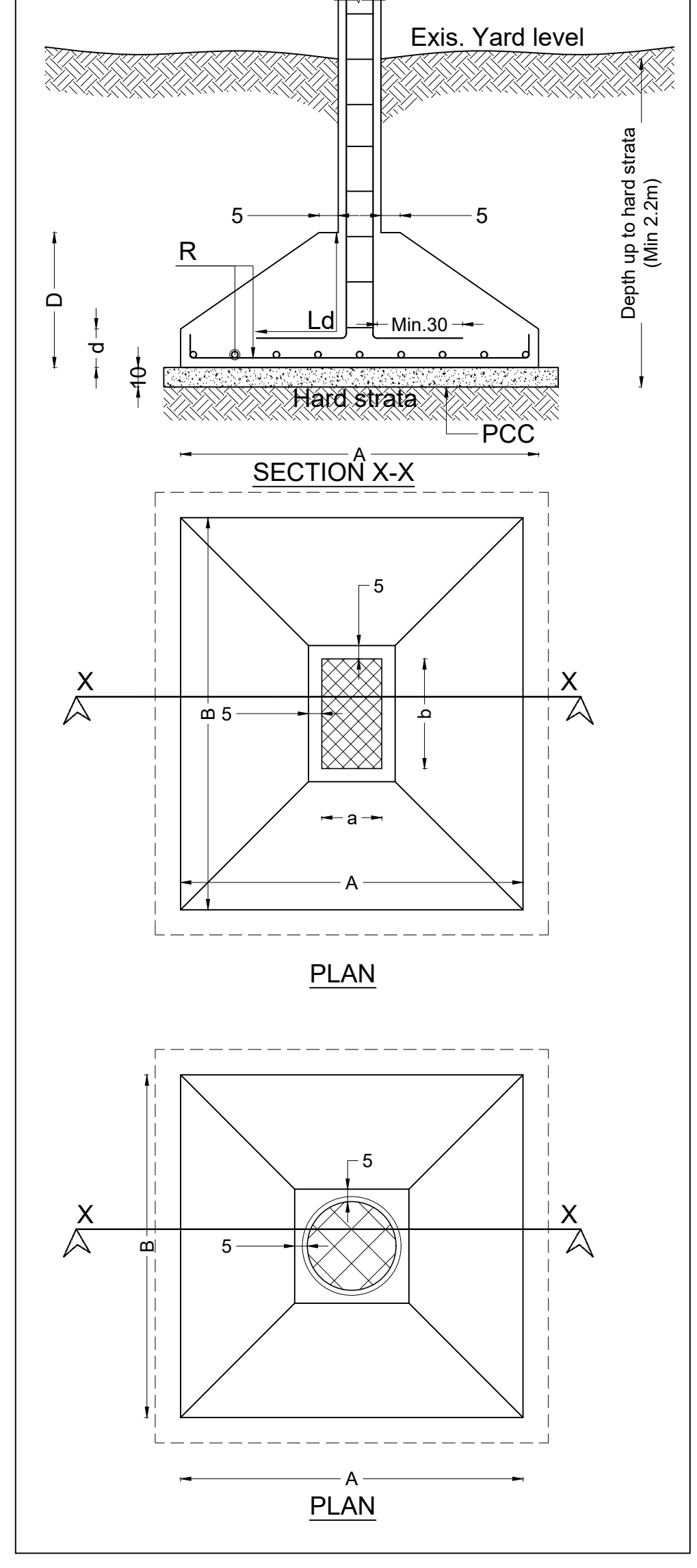


FOOTING & COLUMN LAYOUT

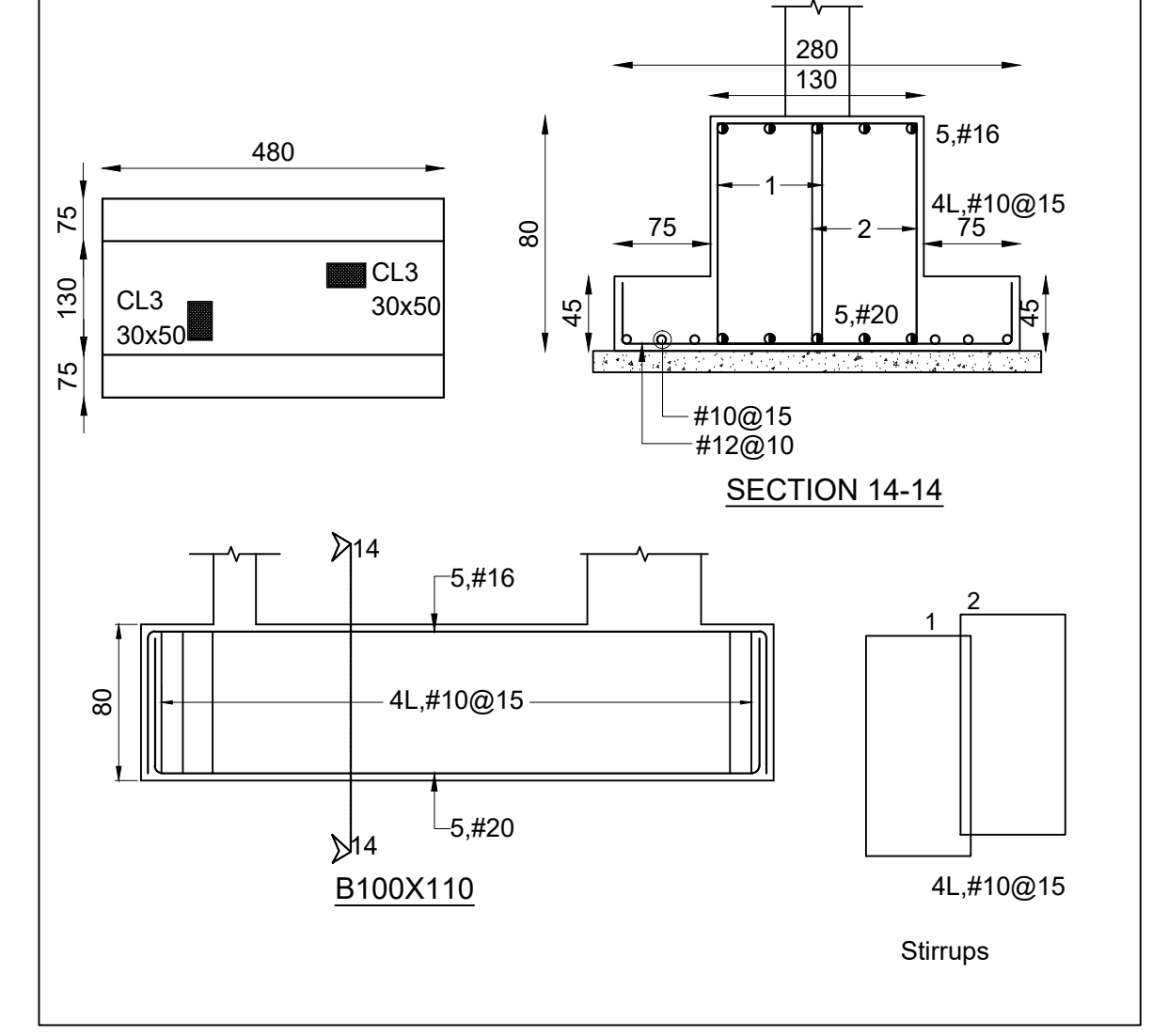
DETAIL OF COLUMN



TYPICAL FOOTING DETAIL



DETAIL OF FOOTING FN5



NOTE:  
 1. THE FOUNDATION IS DESIGNED FOR GROUND +3 FLOOR ONLY.  
 2. SBC TAKEN FOR DESIGN IS 18T/M2.  
 3. THE FOOTING SHALL REST ON HARD STRATA.  
 THE MINIMUM EXCAVATION DEPTH SHALL BE 2.2m.  
 4. PROVIDE 10CM THICK PCC USING MIX 1:4:8 AT BOTTOM.  
 5. FOR COLUMN M30 GRADE SHOULD BE USED

SCHEDULE OF FOOTING

SL. NO	NOTATION	COLUMN SIZE		SIZE OF FOOTING		DEPTH OF FOOTING		REINFORCEMENT	
		a	b	A	B	d	D		
01	FN1	20	50	190	215	20	60	#10@12.5 c/c	
02	FN2	25	50	235	265	25	75	#12@15c/c	
03	FN3	30	50	250	220	25	70	#12@12.5c/c	
04	FN4	45	45	100	100	20	40	#10@20c/c	
04	FN5	COMBINED FOOTING							

GENERAL NOTES:

- ALL DIMENSIONS ARE IN CENTIMETERS & BAR DIAMETER IN MILLIMETERS.
- CLEAR COVER TO MAIN REINFORCEMENT :  
 FOOTING, RAFT 50 mm  
 PILE 60 mm  
 PILE CAPS 75 mm  
 PLINTH BEAMS 25 mm  
 BEAMS 25 mm  
 SLABS, STAIRS 20 mm  
 COLUMNS 40 mm  
 WATER TANKS 30 mm
- ALL RCC WORKS (INCLUDING MATERIALS) SHALL CONFIRM TO IS:456 - 2000 OR ITS LATEST REVISION.
- PRECAST COVERING BLOCKS OF SAME MIX CONCRETE SHALL BE USED TO ENSURE ADEQUATE COVER.
- LEVELS AND PLUMB OF FORMWORK SHALL BE CHECKED AND CONFIRMED BY THE CONTRACTOR OR SITE ENGINEER.
- FORMWORK SHALL BE ADEQUATE TO BEAR THE LOAD WHILE CONCRETING AND IT IS THE RESPONSIBILITY OF THE CONTRACTOR.
- DESIGNER IS NOT RESPONSIBLE FOR DEFECTS ARISING OUT OF USE OF FAULTY/POOR QUALITY MATERIAL AT SITE .
- BENDING AND PLACING OF STEEL BARS SHALL CONFIRM TO SP:34.
- MACHINE MIXED CONCRETE SHALL BE USED FOR CONCRETING.
- BEAM SHALL BE ANCHORED IN TO THE COLUMN AS SHOWN.
- LAP/ANCHORAGE LENGTH OF STEEL BARS (Ld) IS EQUAL TO 50 TIMES DIAMETER OF BAR.
- ALL DIMENSIONS, LEVELS ETC SHALL BE CHECKED WITH RELEVANT ARCHITECTURAL DRAWINGS. VARIATION, IF ANY, SHALL BE CLARIFIED BEFORE EXECUTION.

PROJECT	PROPOSED BUILDING AT KOTTAKKAL ARYAVAIDYASALA, VADAKANTHARA.		
PROJECT NO:	DS/MOD/HOS/AVS/118/2024		
DRG. TITLE	FOOTING & COLUMN LAYOUT & DETAIL		
SHEET NO:	SD/CON/01 SHEET (1/1)	SHEET SIZE A1	
DATE OF ISSUE	13-02-2025	STATUS	
MIX/STEEL GRADE	M25 / Fe 500	TENDER	
DRAWN	DESIGNED	CHECKED	ESTIMATION
PRANAV	SK	SK	DISCUSSION
SCALE	NOT TO SCALE. CONSTRUCTION		

CLIENT M/S KOTTAKKAL ARYAVAIDYASALA

ARCHITECT

MODARCHS CONSULTANTS INDIA (Pvt.) Ltd.,  
 ARCHITECTS ENGINEERS DESIGNERS  
 Modarchs Centre: 27/10/04 Pannayy Nagar, Cochin-682028, INDIA  
 M - 91 9447059133 T - 91 0484232381/62027148 E: info@modarchs.in  
 S.O.N.R. - 03 Sree Ganesh Nagar Sakarapuram Palakkad, Kerala 678010, INDIA  
 M - 91 9448258113 T - 91 4912579398 E: mail@modarchs.in  
 www.modarchs.in

STRUCTURAL CONSULTANT

DESIGN SPECTRUM STRUCTURAL CONSULTANTS  
 3rd FLOOR, SEIKEN CHAMBERS,  
 KANNUR ROAD, CALICUT -673001.  
 PH : 9074929417 , 0495 - 2765697.  
 E-mail: projects@designspectrum.co.in

REVISIONS:

NO:	DATE	DETAIL